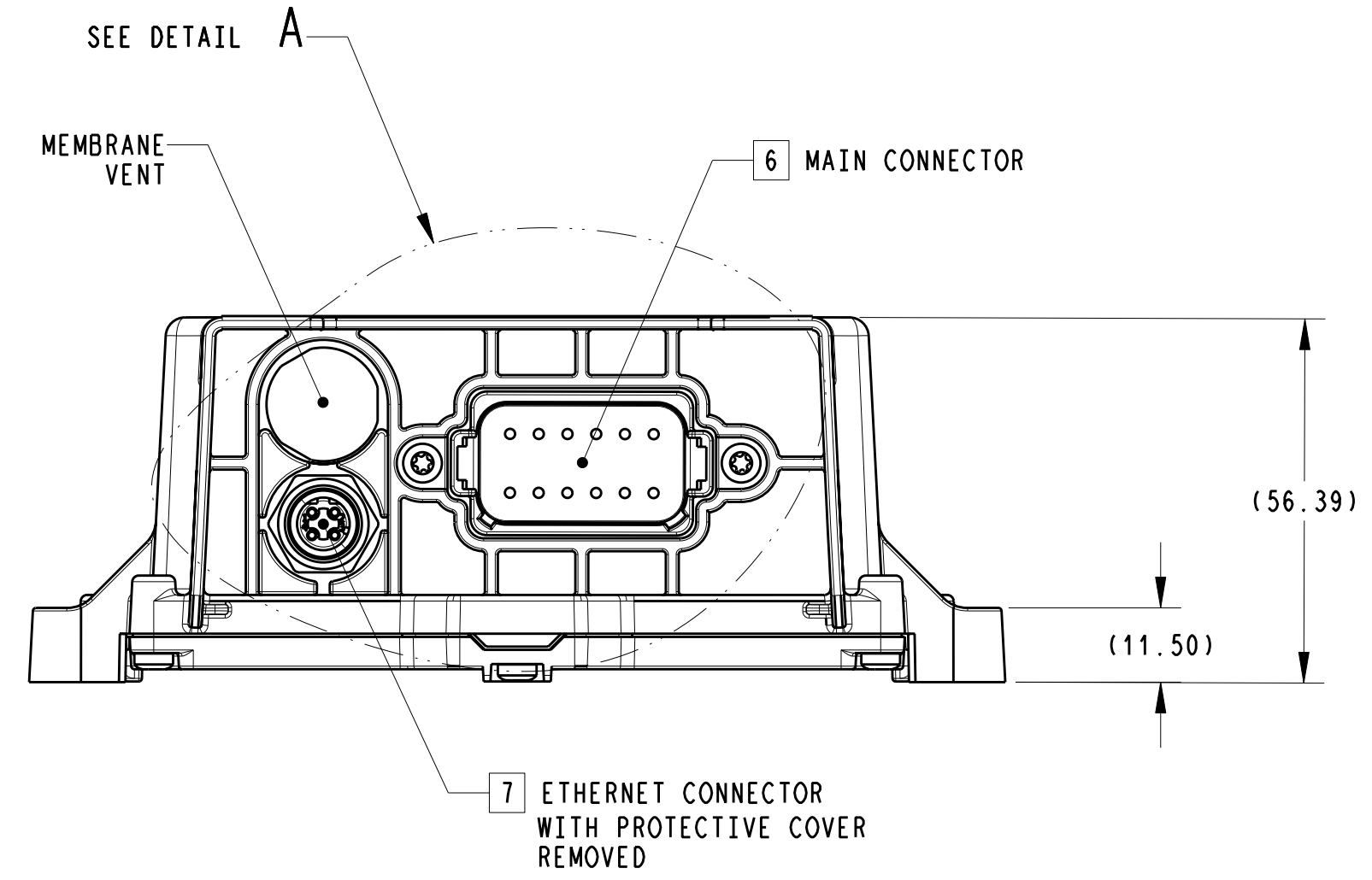
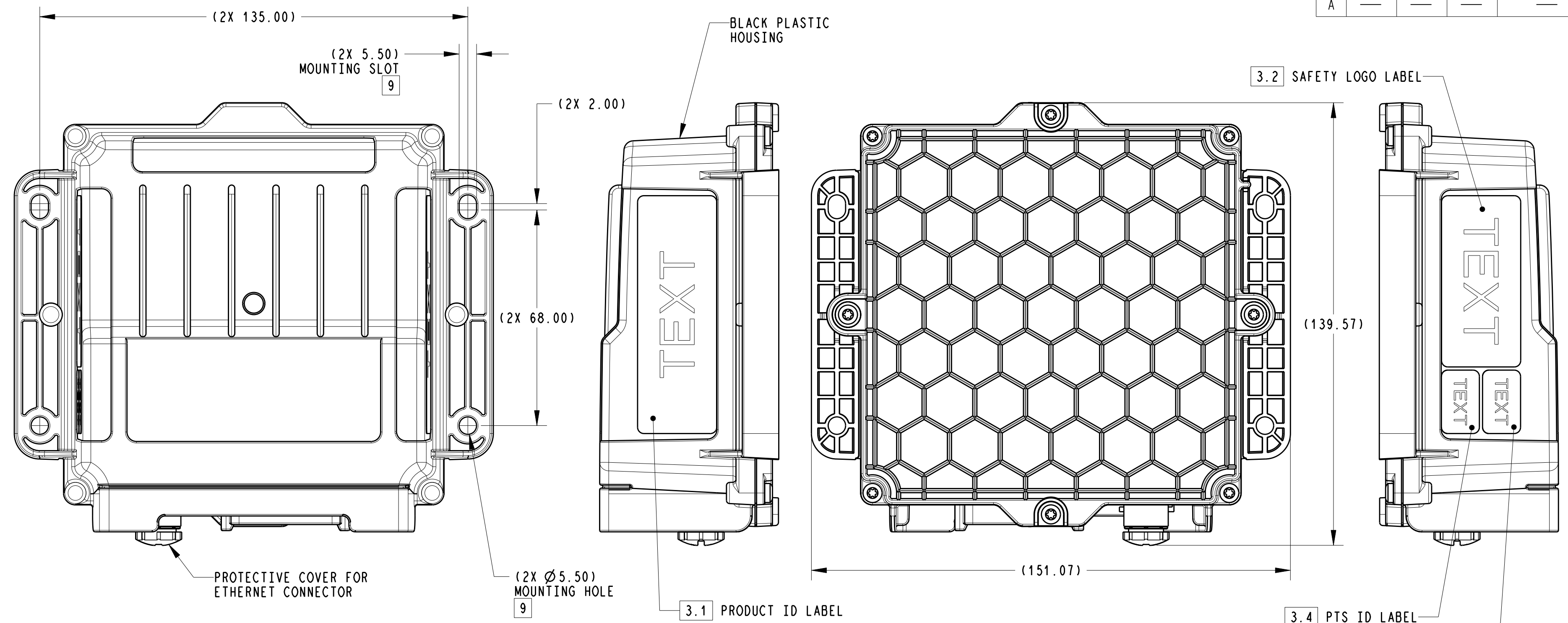


ISS	ECO	BY	CHK	DATE
A	—	—	—	—



NOTES:

- PRODUCT DESCRIPTION:
PARKER MSG MOBILE IoT WIRELESS GATEWAY WITH GPS, 4G CELLULAR, AND 802.11 WiFi CAPABILITIES.
- PARKER SAP MATERIAL DESCRIPTION: VEO PVSG-IOT-TP1-4GLTE-WIFI MSG.

NOTE: AN APPROPRIATE PARKER IoT SERVICE PLAN MUST BE ASSOCIATED WITH THE INSTALLED SIM TO ACTIVATE IoT SERVICES FOR THE GATEWAY.
- GATEWAY TO INCLUDE THE FOLLOWING LABELS WITH APPROPRIATE GRAPHICS AND TEXT:
 - 3.1 PARKER PRODUCT ID LABEL (75 X 25).
 - 3.2 PRODUCT SAFETY LOGO LABEL (54 X 25).
 - 3.3 PARKER MASTER TAG ID LABEL (20 X 12).
 - 3.4 PARKER PTS ID LABEL (20 X 12).
- SOFTWARE REVISION: GATEWAY SOFTWARE AND UPDATES ARE TO BE PROVIDED BY PARKER IoT.
- PRODUCT MASS: 0.350 kg.
- 6 MAIN CONNECTOR: 12-PIN DEUTSCH DT13-12PA WITH KEYWAY "A". SEE PIN-OUT TABLE ON SHEET 2.
- 7 ETHERNET CONNECTOR: 4-PIN M12 CONEC 43-01229. SEE PIN-OUT TABLE ON SHEET 2.
- PRODUCT CONTAINS INTERNAL GPS, CELLULAR, AND WIFI ANTENNAS.
- 9 RECOMMENDED MOUNTING INFORMATION: M5 BOLT (4X) WITH TORQUE 14-15 kgf-cm.

This document contains information that is confidential and proprietary to Parker Hannifin Corporation ("Parker"). It is not to be copied or disclosed to others or used for any purpose other than conducting business with Parker. The recipient of this document, through its own analysis and testing, is solely responsible for making the final selection of the applicable system and components and assuring that all performance, endurance, maintenance, safety and warning requirements of the application are met.

REV	ECO	BY	CHK	DATE

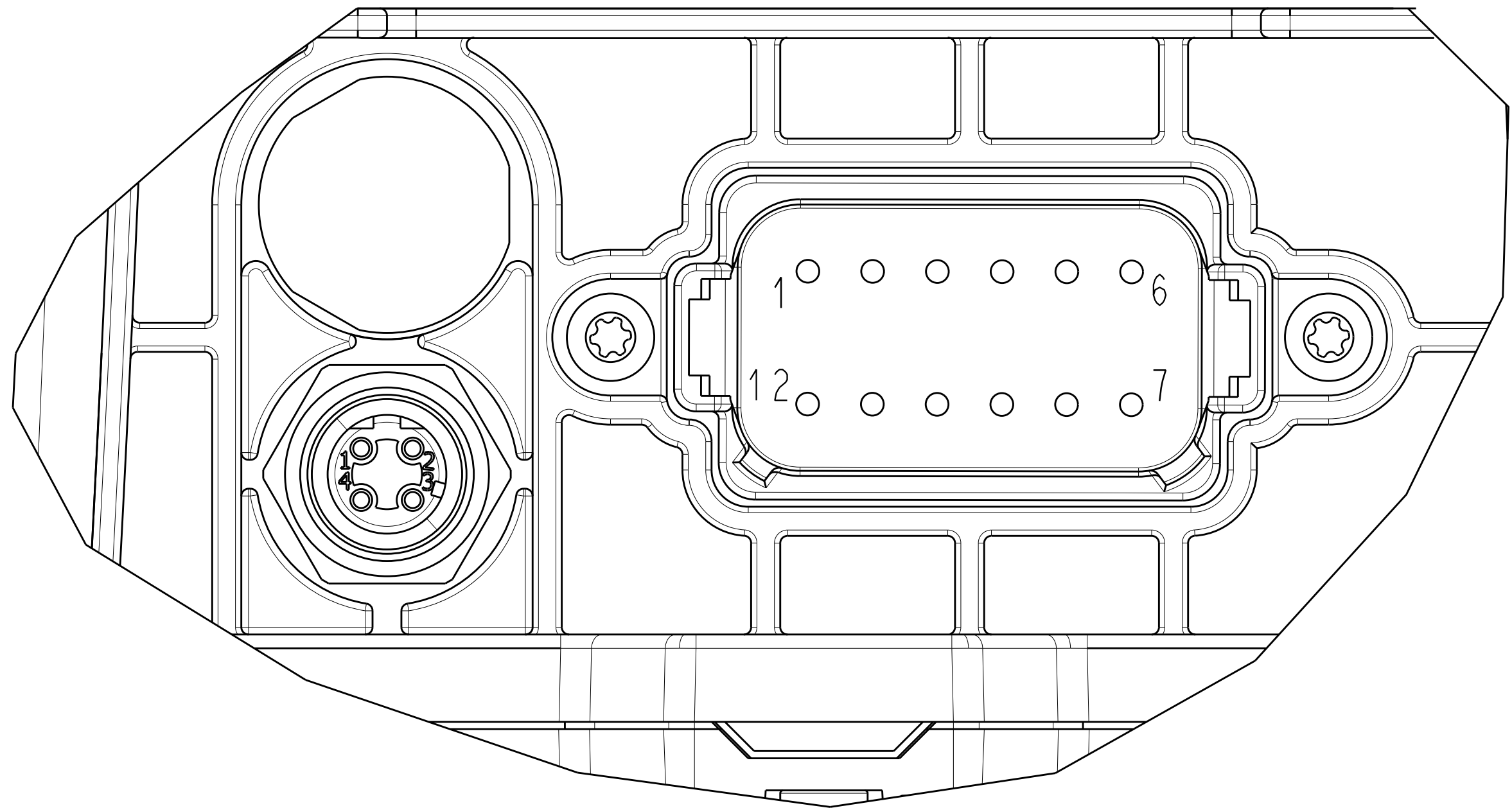
TOLERANCES (UNLESS NOTED)	
= ±	
= ±	
= ±	
ANGLES = ±°	

DSGN: PARKER IoT	DATE: N/A
DWN: K. KORNIK	DATE: 2022-09-20
CHK: D. BARTON	DATE: 2022-09-28
APVD: H. RODRIGUEZ	DATE: 2022-09-27
THIRD ANGLE PROJECTION	

Parker ELECTRONIC MOTION AND CONTROLS DIVISION
WINNIPEG, MB, CANADA

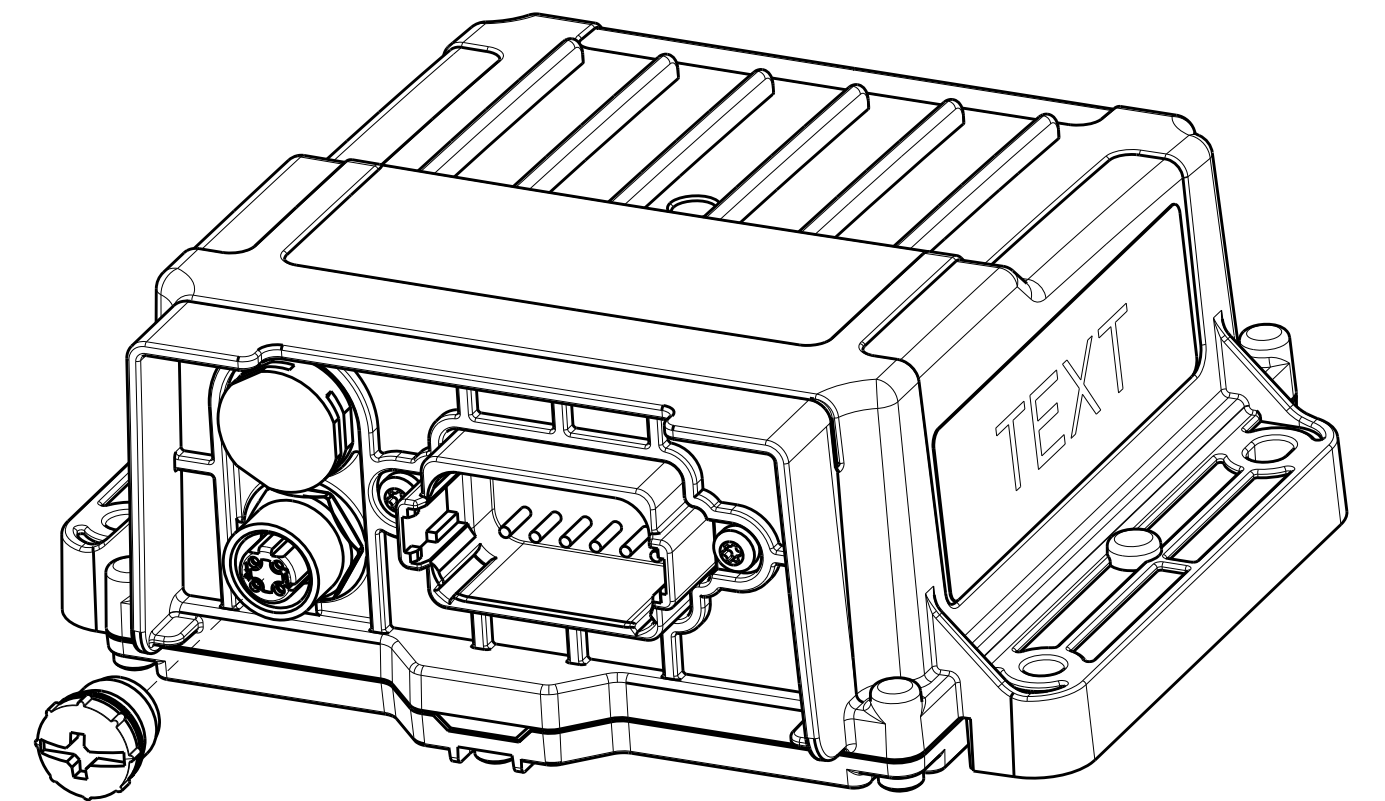
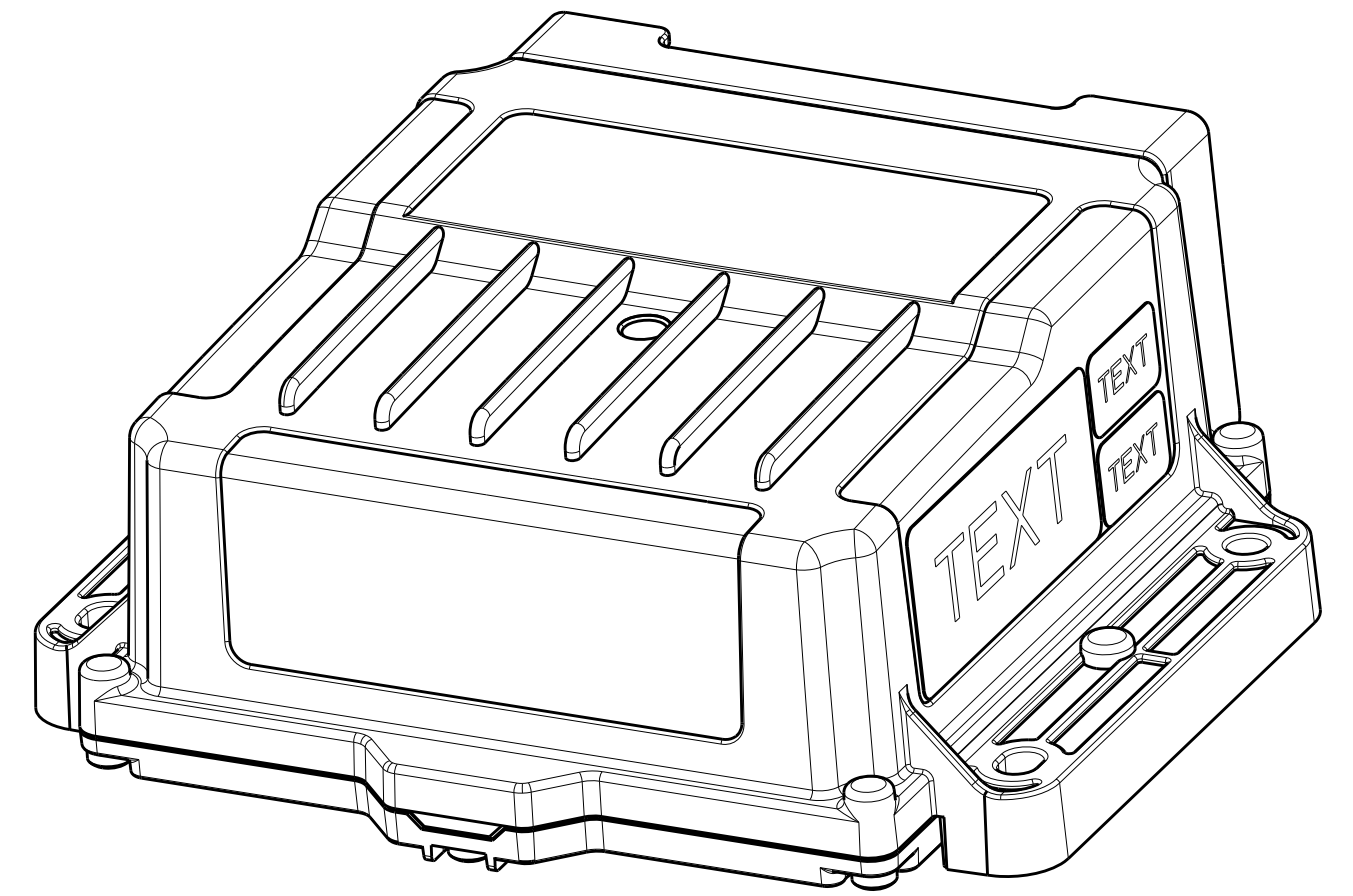
TITLE: PARKER MSG IoT GATEWAY GPS 4G WIFI
PRODUCT DATA DRAWING

SAP: N/A	DWG NO: 1068B02	REV: 00	ISS: A
UNITS: mm	SCALE: 1.0	SHEET SIZE: C	SHEET 1 OF 2
Creo FILE: 1068B02.DRW	Ver: 00.4	Rel: Released	



MAIN CONNECTOR AND ETHERNET
CONNECTOR PIN NUMBERS

DETAIL A
SCALE 3.000



MAIN CONNECTOR PIN-OUTS 6	
PIN #	FUNCTION
1	+12V OR +24V
2	DIGITAL IN
3	CAN1-H
4	CAN1-L
5	CHASSIS GROUND
6	IGNITION
7	CAN0-H
8	CAN0-L
9	CHASSIS GROUND
10	DIGITAL OUT
11	CHASSIS GROUND
12	GND

ETHERNET CONNECTOR PIN-OUTS 7	
PIN #	FUNCTION
1	ETHERNET TX1 P
2	ETHERNET RX1 P
3	ETHERNET TX1 N
4	ETHERNET RX1 N

SAP:	DWG NO:	REV:	ISS:
N/A	1068B02	00	A
UNITS: mm	SCALE: 1.0	SHEET SIZE: C	SHEET 2 OF 2
Creo FILE: 1068B02.DRW	Ver: 00.4	Rel: Released	